

Triple Eccentric Butterfly Valves Metal Seal, Flanged

1500PSI / Class600

Design to ASME B16.34/API609

Dimensions to ASME B16.5/B16.1/EN1092

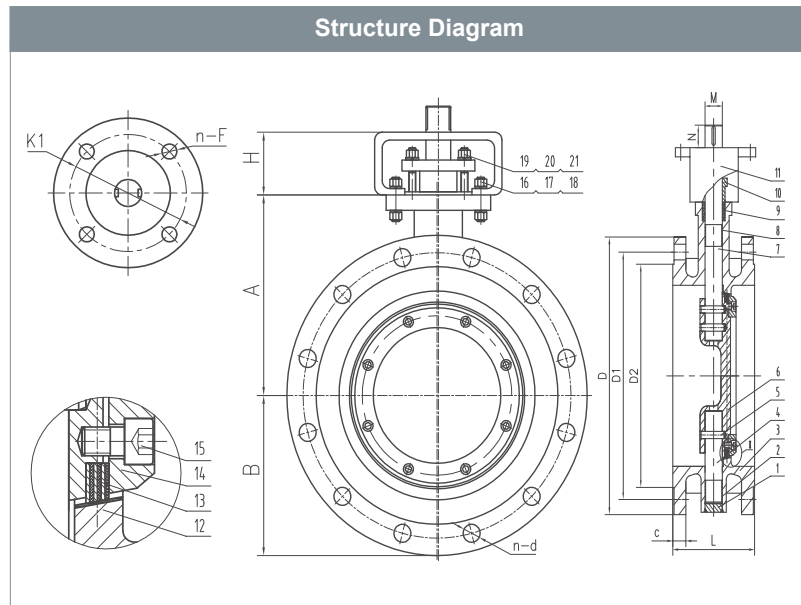
Pressure Test to API598/ISO5208

Temperature Range: -50°C~650°C/-58°F~1200°F



HP5003-0

Materials List		
1	Lower End Cap	ASTM A105
2	Lower Shaft Sleeve	ASTM A276 304
3	Body	ASTM A216 WCB ASTM A351 CF8/CF8M
4	Lower Stem	ASTM A276 431 ASTM A564 630-17-4PH
5	Cylindrical Pin	ASTM A182 F304
6	Disc	ASTM A216 WCB ASTM A351 CF8/CF8M
7	Upper Stem	ASTM A276 431 ASTM A564 630-17-4PH
8	Upper Shaft Sleeve	ASTM A276 304
9	Packing	Graphite
10	Packing Gland	ASTM A216 WCB
11	Support	Carbon Steel
12	Seat	SS316, Stellite, Inconel
13	Seal Ring	SS316 + Graphite
14	Press Plate	ASTM A105 ASTM A182 F316
15	Hexagon Socket Head Bolt	ASTM A193 B7
16	Support Bolt	ASTM A193 B7
17	Spring Washer	ASTM A29 1566
18	Nut	ASTM A194 2H
19	Gland Bolt	ASTM A193 B7
20	Spring Washer	ASTM A29 1566
21	Nut	ASTM A194 2H



* For other materials and special requirements, consult factory or local offices.

Dimensions(600LB)													
In	L	D	D1	D2	C	n-d	H	A	B	M	N	K1	n-F
6	210	355	292.1	215.9	54.7	12-30	90	250	200	32	50	125	4-14
8	230	420	349.2	269.9	62.6	12-33	120	270	220	42	55	140	4-18
10	250	510	431.8	323.8	70.5	16-36	120	320	270	52	60	165	4-22
12	270	560	489	381	73.7	20-36	120	350	290	58	70	165	4-22
14	290	605	527	412.8	76.9	20-39	150	440	340	68	80	200	8-18
16	310	685	603.2	469.9	83.2	20-42	150	480	380	68	80	200	8-18
18	330	745	654	533.4	89.6	24-45	150	530	440	76	90	254	8-18
20	350	815	723.9	584.2	95.9	24-45	170	560	460	82	100	298	8-22
24	390	940	838.2	692.2	108.6	24-52	200	600	500	96	120	356	8-33

* For EN and other standards dimensions, consult factory.